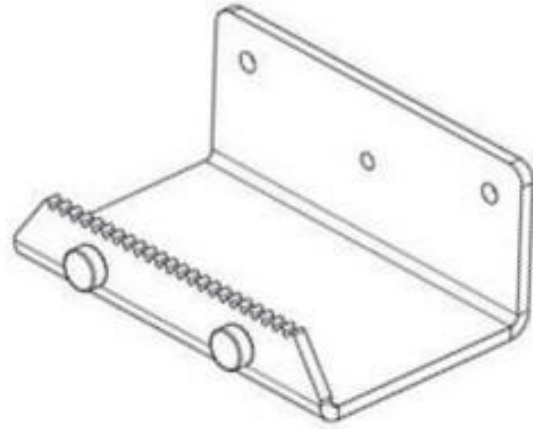


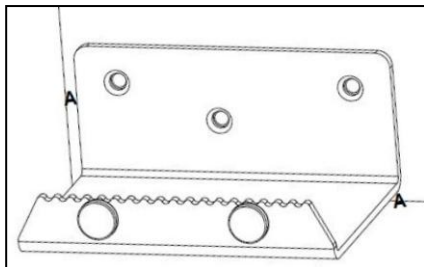
GENERAL LOCK

FP-1 Foot Pull Stainless Steel

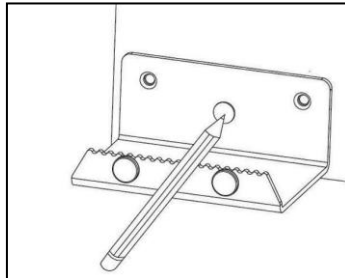


Installation Instructions

Step 1 - Position FP-1 Foot Pull 1/4" from the bottom and 1/4" from the outer edge of the door. (A-1/4")

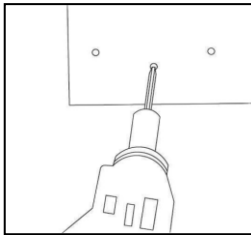


Step 2 - Mark the center hole while holding the FP-1 Foot Pull against the door at a level position.*

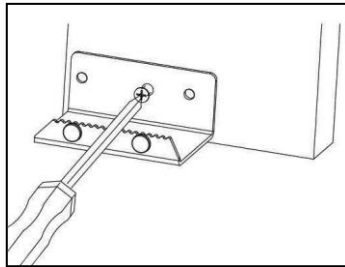


***If a metal kickplate is on the door, drill a 1/4" hole where marked before moving onto next step. (Only drill through metal kickplate, not into the door).**

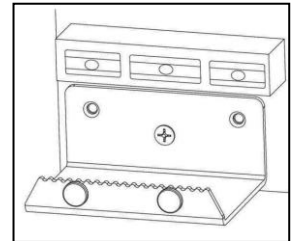
Step 3 - Using a 1/8" drill bit drill the center hole approximately 1" deep. DO NOT DRILL ALL THE WAY THROUGH THE DOOR.



Step 4 - Install FP-1 Foot Pull onto the door with the 1-1/4" wood screw.



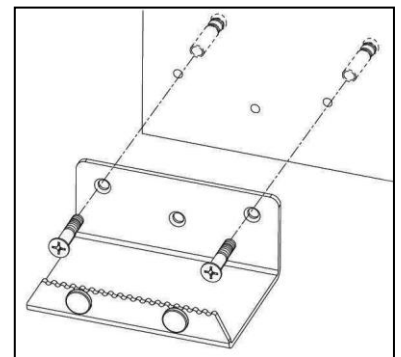
Step 5 - Use a Level to verify the FP-1 Foot pull is level and mark the two outer holes.



Remove the FP-1.

Step 6

- Use a 3/16" drill bit and drill the two outer holes all the way through the door.
- From the other side of the door use a 3/8" drill bit and drill the two outer holes all the way through the door.
- Install the two sex bolts on the back side of the door.
- Reinstall the FP-1 Foot Pull with the wood screw and the two sex bolt screws. (Blue Loctite Thread Locker is recommended on the sexbolts).



Step 7 - Open door fully and check for any interference with the door stop.

IMPORTANT: For easy foot opening operation, it is recommended to adjust the door closer opening force to 5 pounds maximum. (ADA standard)