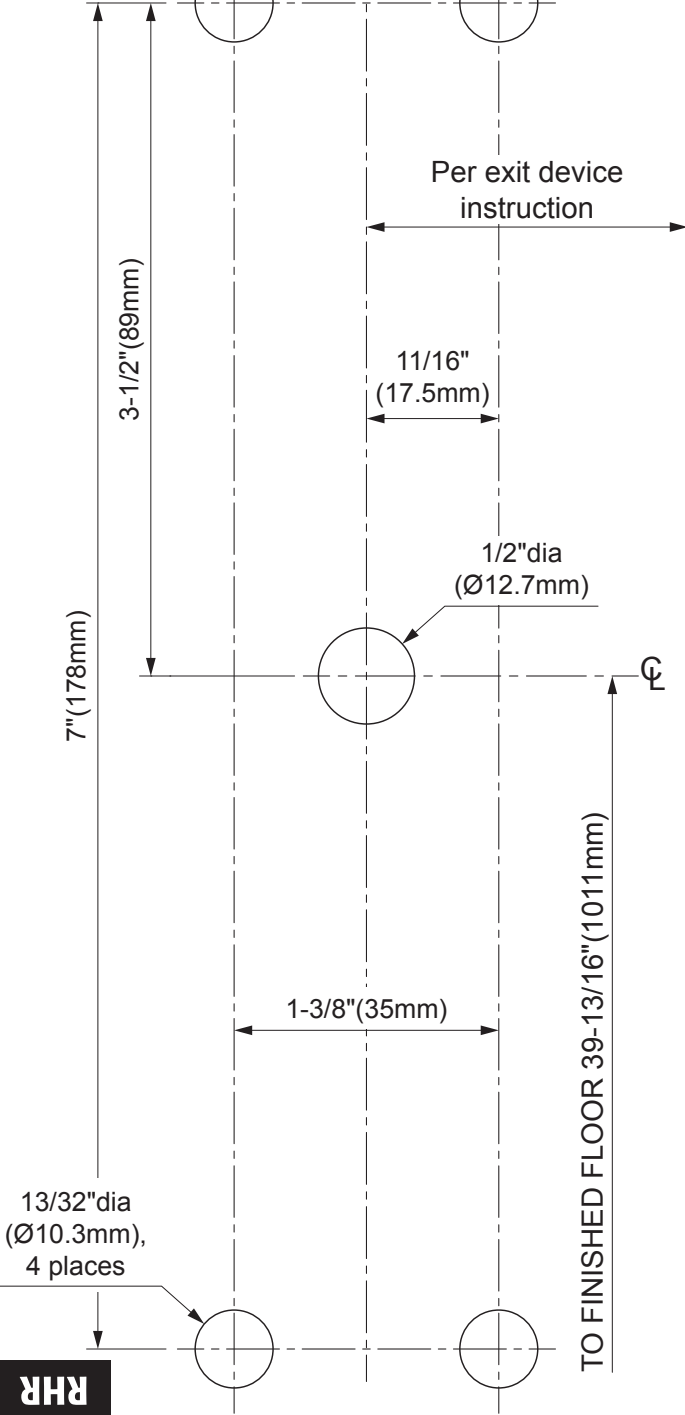
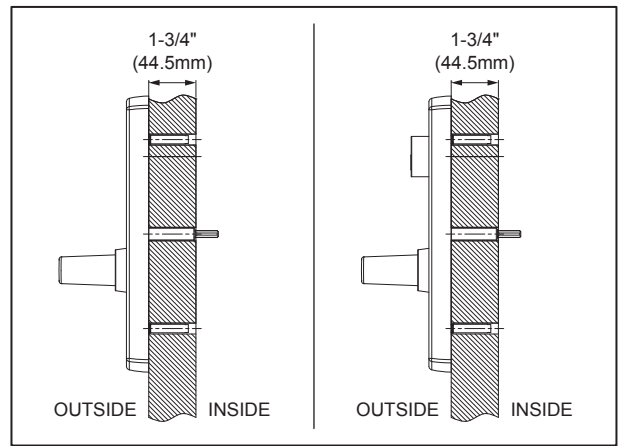


LHR

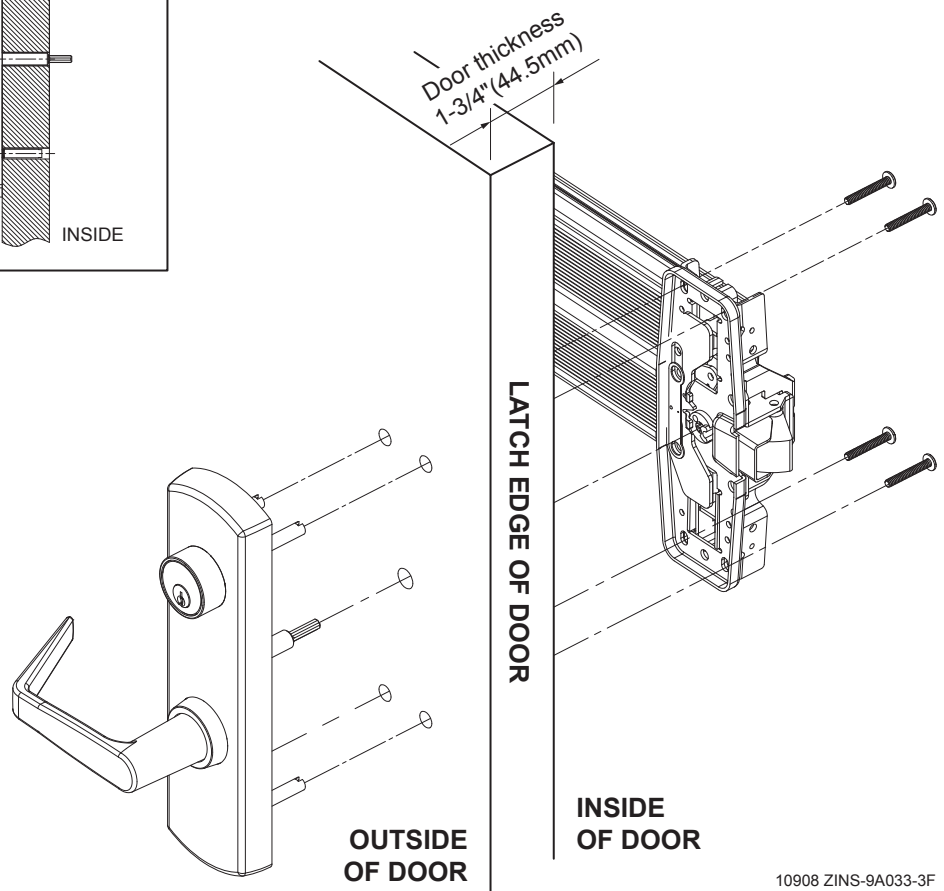
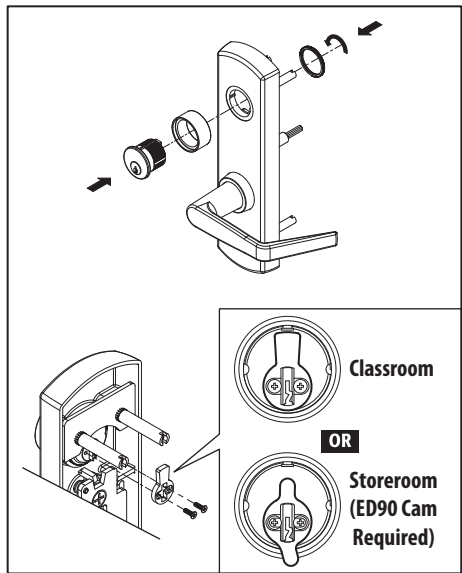


RHR

EDGE OF DOOR RHR

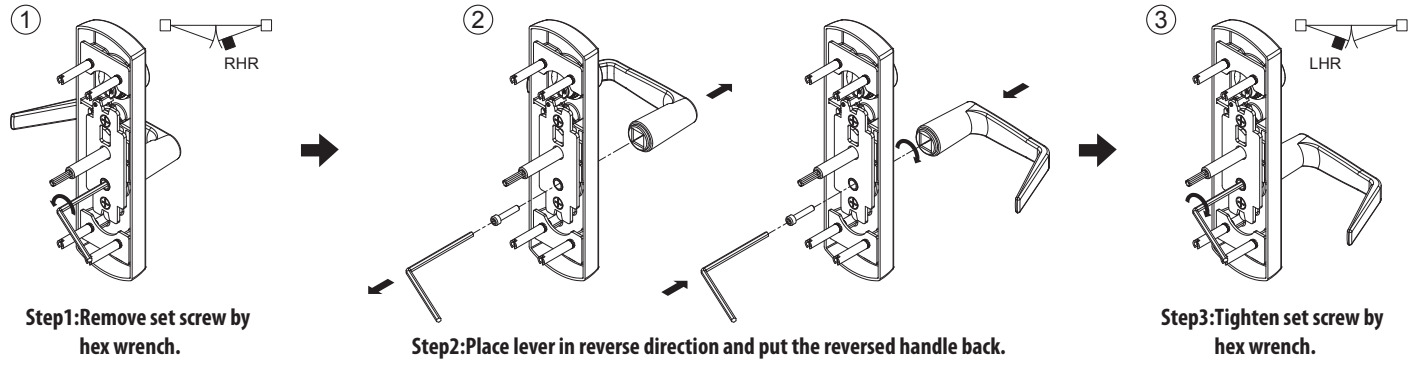


GENERAL LOCK®
ED90T-LET-CLS/ST
INSTALLATION INSTRUCTIONS



10908 ZINS-9A033-3F

Installation instruction for changing lever handing



Step1: Remove set screw by hex wrench.

Step2: Place lever in reverse direction and put the reversed handle back.

Step3: Tighten set screw by hex wrench.