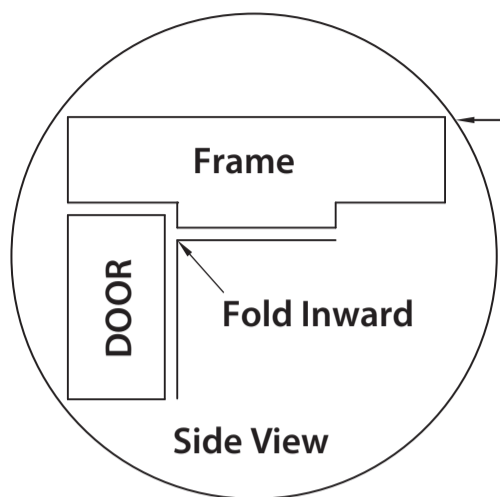
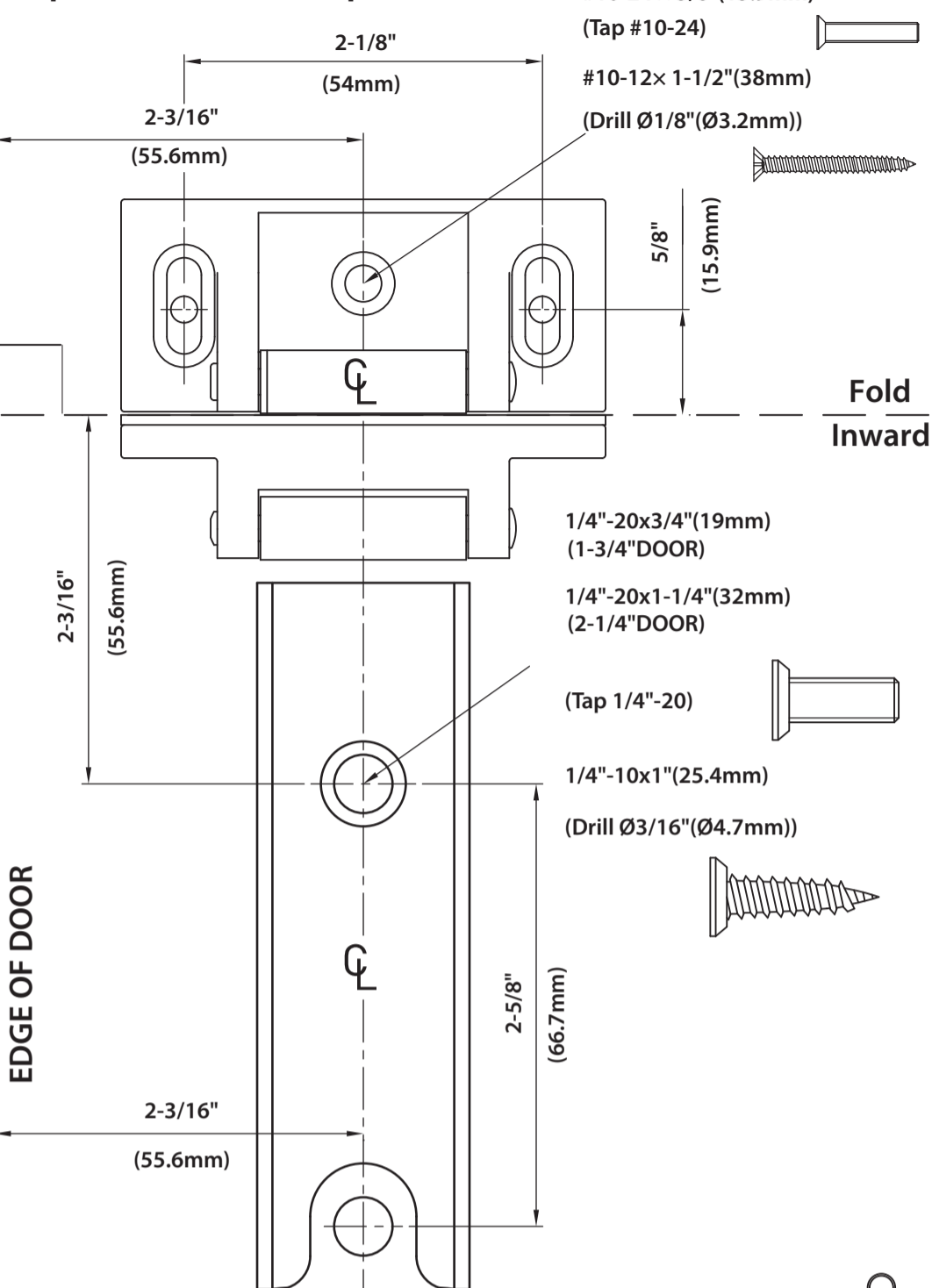


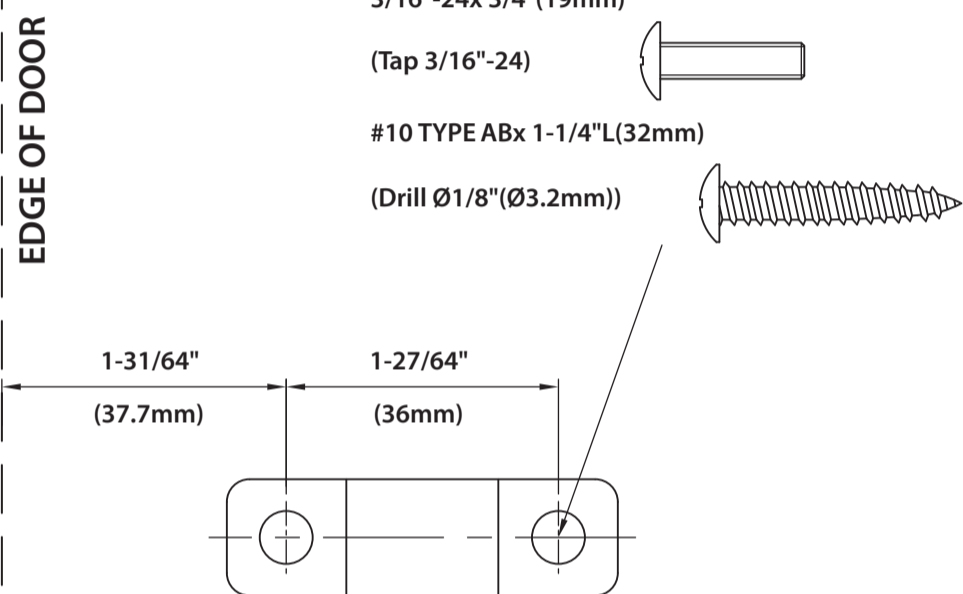
**ED9000/EDX9000 SURFACE
VERTICAL ROD EXIT DEVICE
INSTALLATION TEMPLATES**



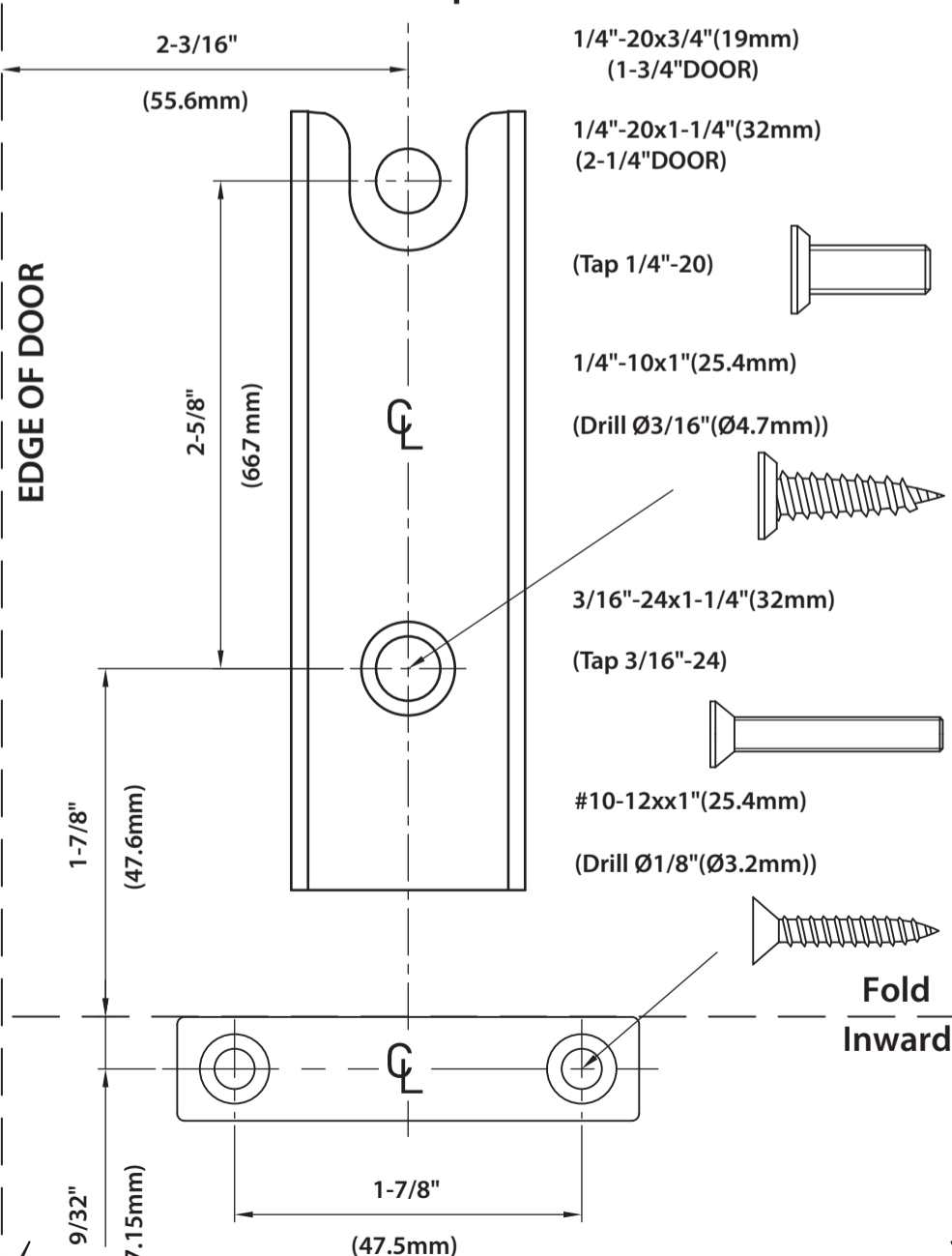
Top Strike/Latch template



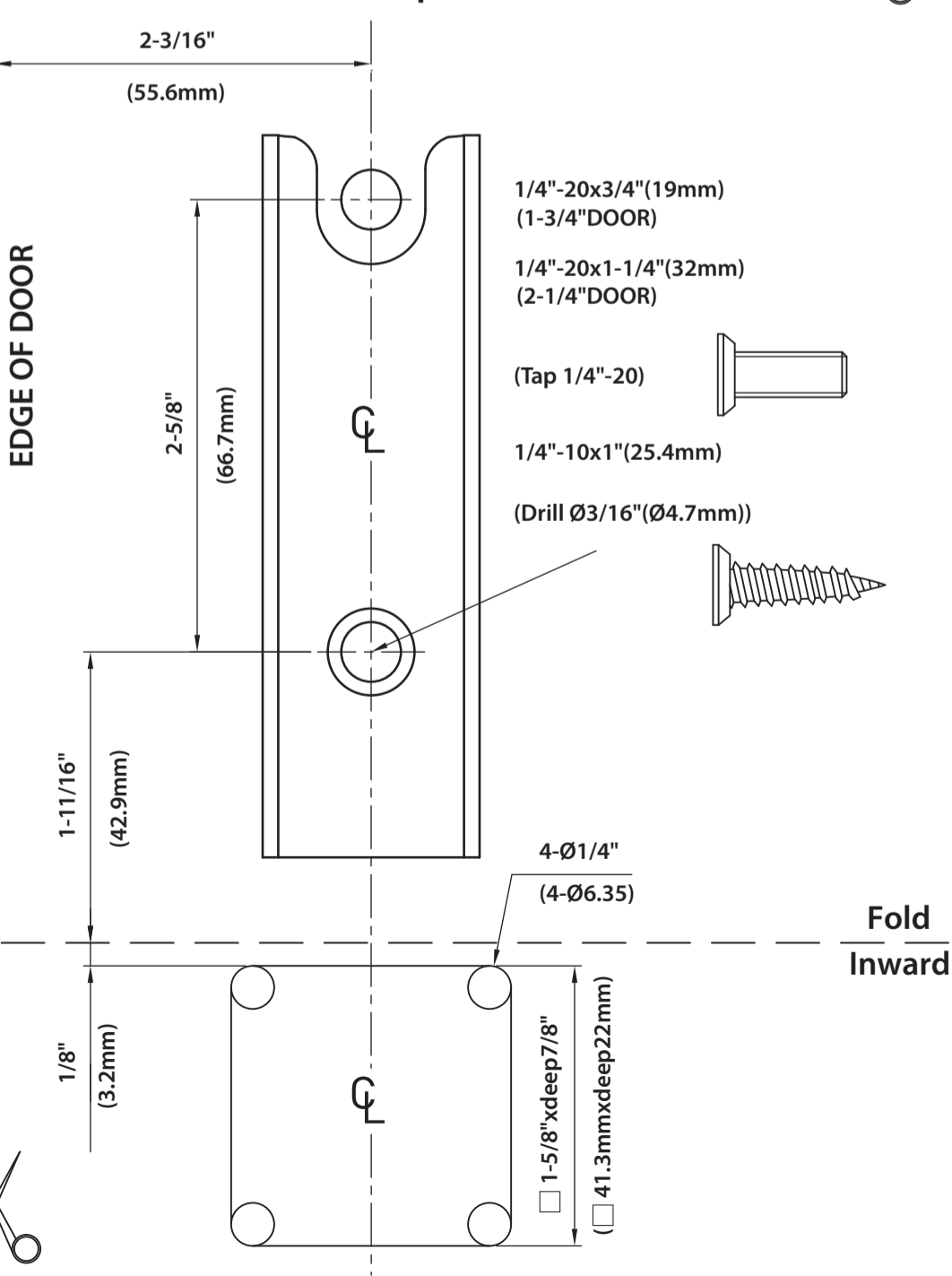
Tube fitting template



Bottom Strike/Latch template



Bottom Strike/Latch template



Main chassis template

