

GENERAL LOCK® ED9000/EDX9000 SURFACE VERTICAL ROD EXIT DEVICE INSTALLATION INSTRUCTIONS

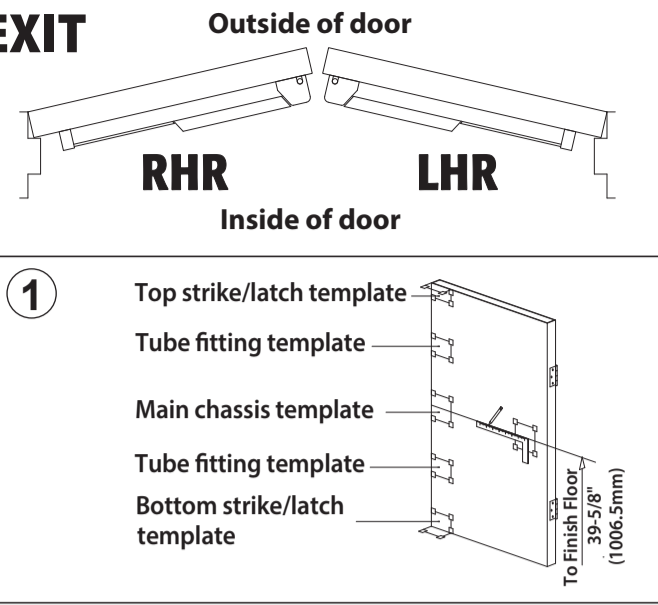
See template for details on mounting screws.

Dogging function:

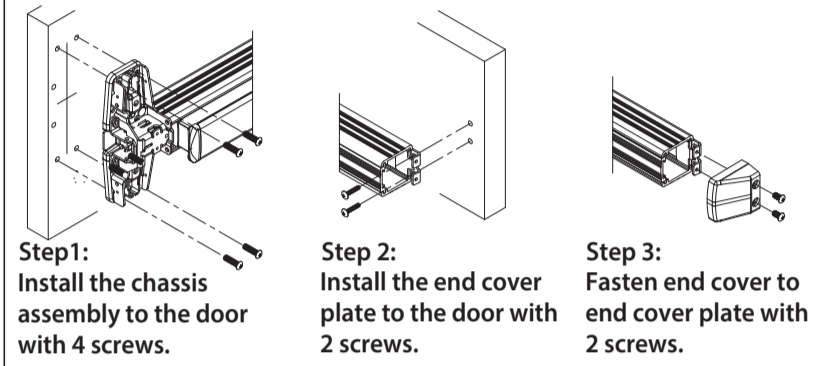
Set up:
Depress push bar, use dogging key and turn clockwise 45°. The push bar will remain depressed and the latch will stay retracted.

Release dogging function:
Hold push bar, use dogging key to turn counterclockwise 45°.

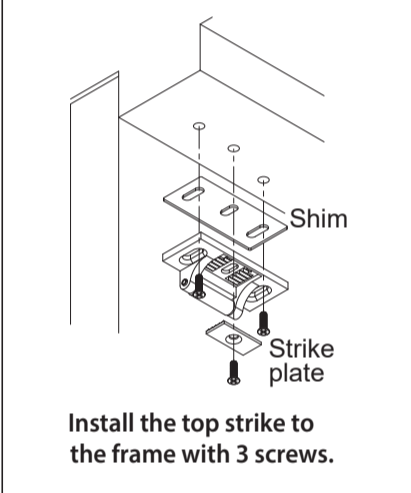
The dogging feature is not available on fire-rated doors as fire doors must remain closed and latched.



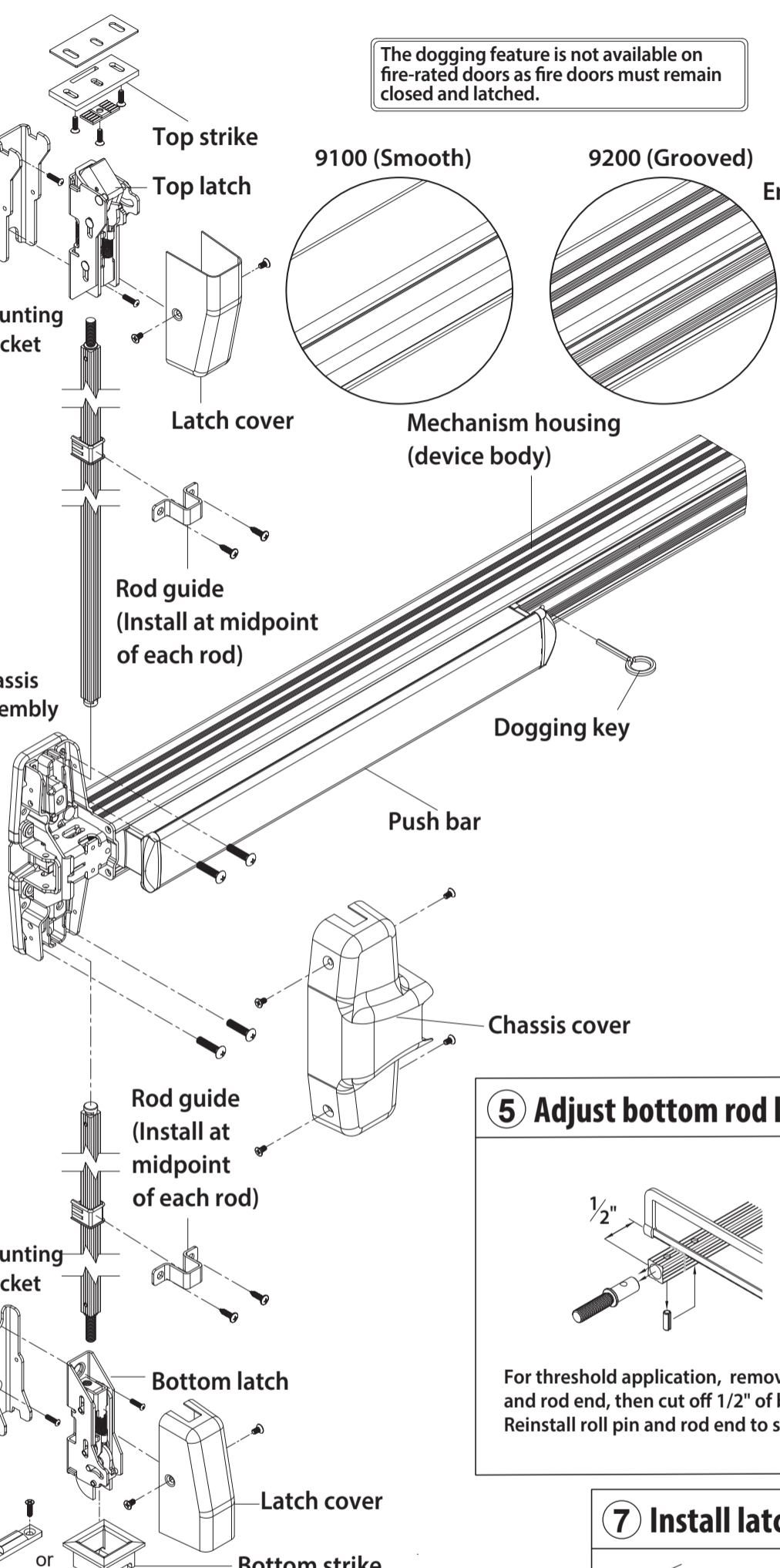
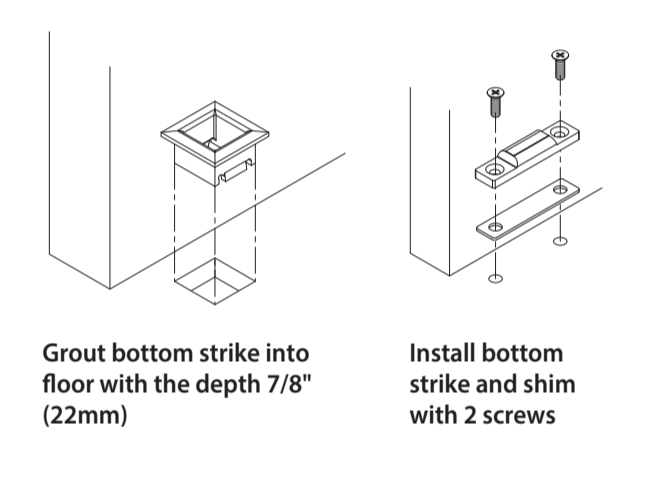
2 Install chassis assembly and end cover plate



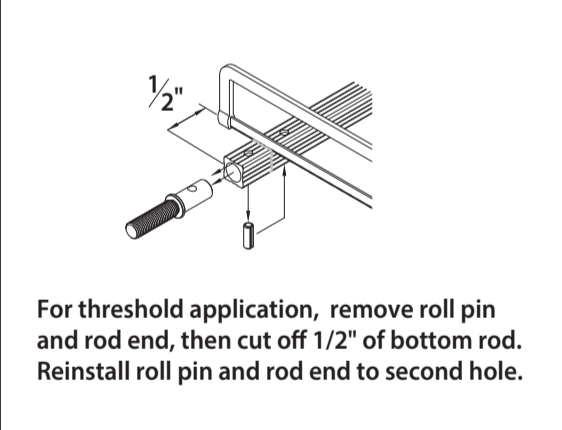
3 Install top strike



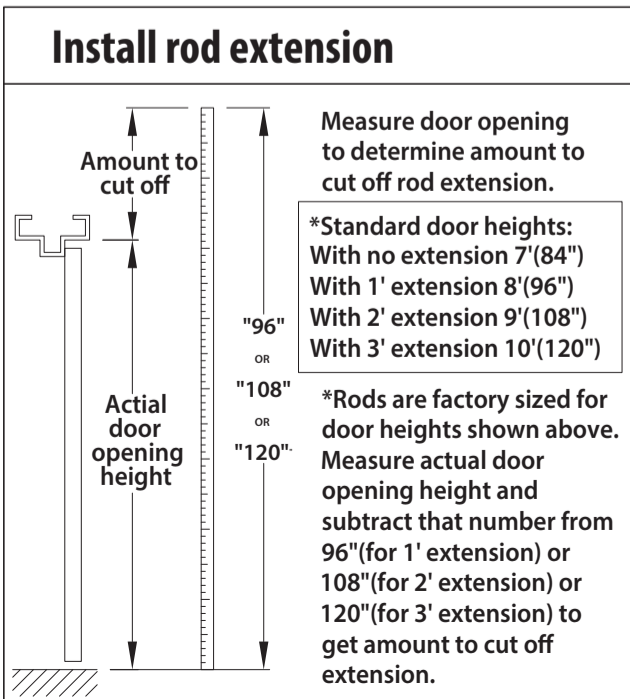
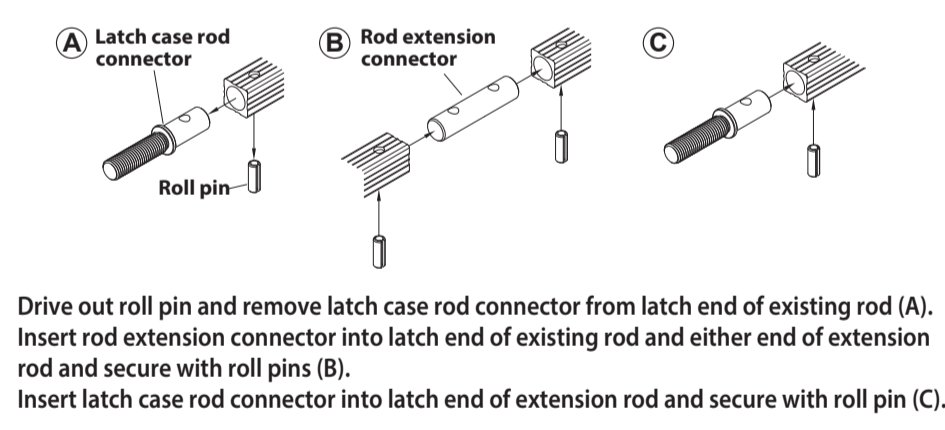
4 Install bottom strike



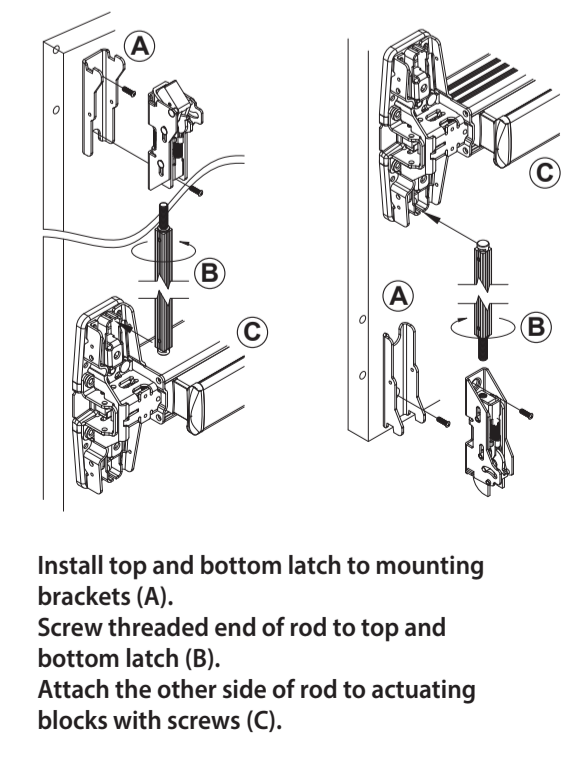
5 Adjust bottom rod length



6 Vertical Rod Parts



7 Install latches and rods



8 Install chassis cover

