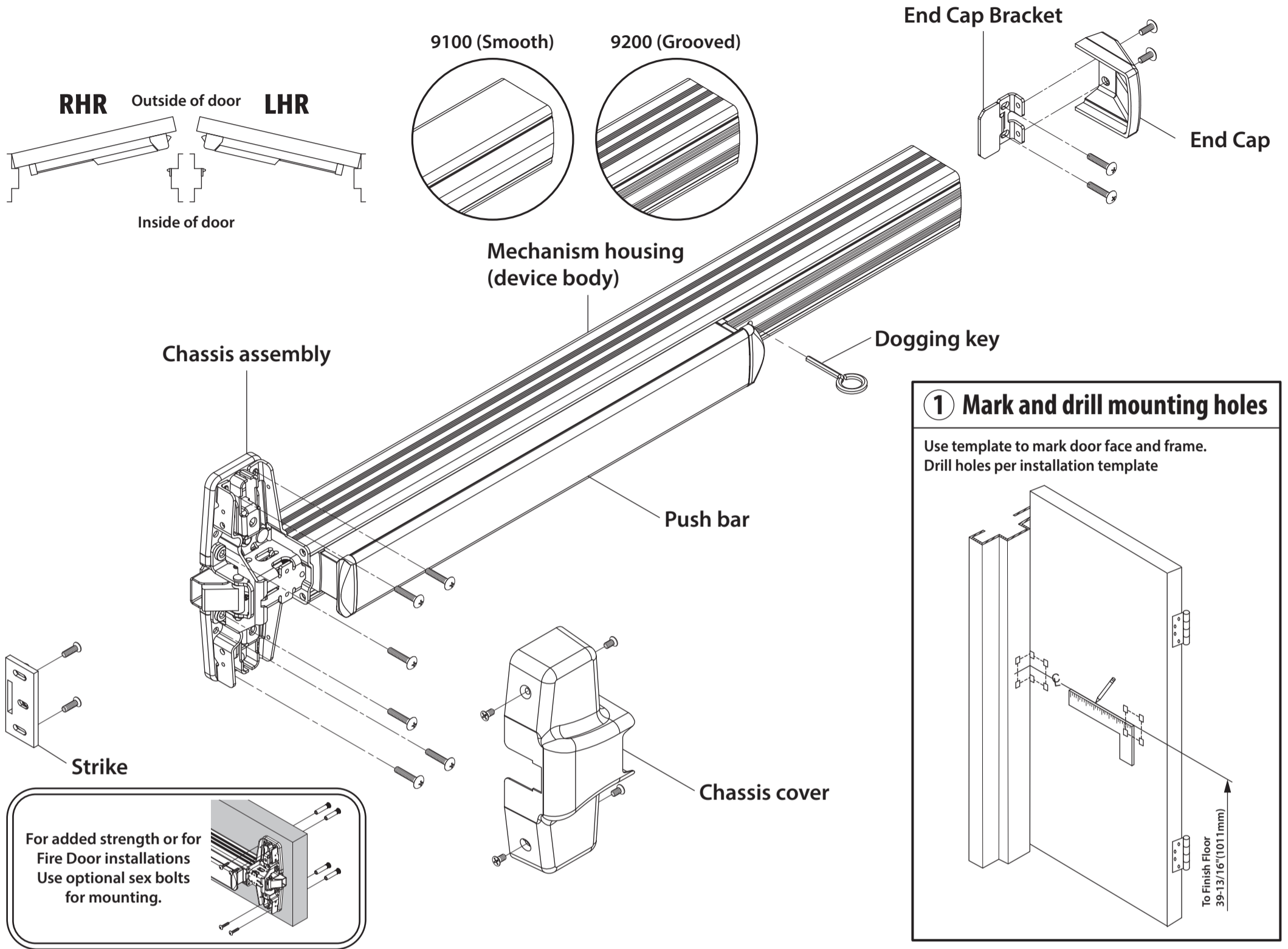


GENERAL LOCK® ED9000/EDX9000 RIM EXIT DEVICE-REVERSIBLE INSTALLATION INSTRUCTIONS

11109 ZINS-R9005-3F

See template for details on mounting screws.



1 Mark and drill mounting holes

Use template to mark door face and frame. Drill holes per installation template

2 Install Strike

Use supplied screws to mount top and bottom slotted holes. Adjust strike as necessary before tightening mounting screws.

Adjust strike as needed

3/16" (5mm)

Shim as needed

3 Install chassis assembly and end cap

Step 1: Remove chassis cover and install device body with supplied screws in template drilled holes.
* If using trim, make sure to line up trim actuating shaft located on back of chassis assembly. See trim installation instruction and template.

Step 2: Install end cap bracket with supplied screws in template drilled holes. Verify that the device body is level before tightening screws.

Step 3: Install end cap to end cap bracket with the 2 supplied screws.

4 Install strike support screw

5 Install chassis cover

Verify that the exit device releases and operates smoothly and the cylinder & trim, if used, operates correctly before installing chassis cover with supplied screws.

6 Dogging function

Dogging Activation: Depress push bar, use dogging key and turn clockwise 45°. The push bar will remain depressed and the latch will stay retracted.

Release dogging function: Hold push bar, use dogging key to turn counterclockwise 45°.

The dogging feature is not available on fire-rated doors as fire doors must remain closed and latched.