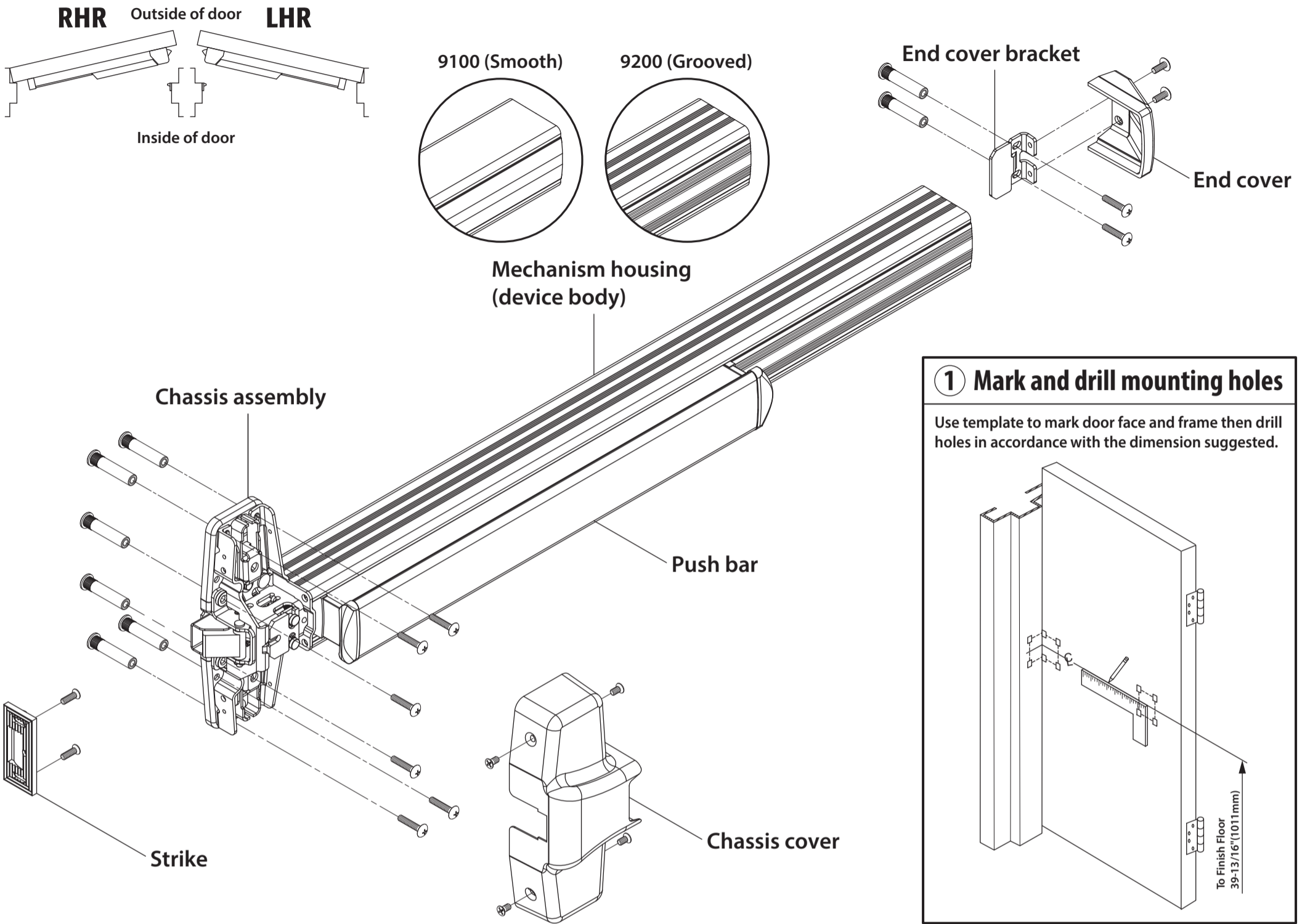
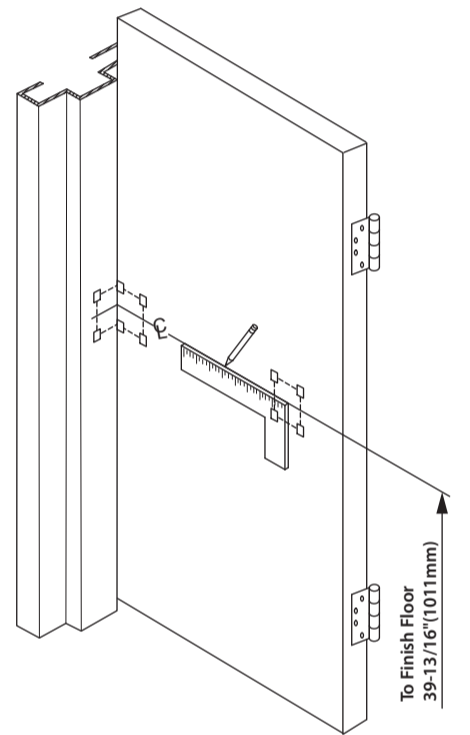


See template for details on mounting screws.

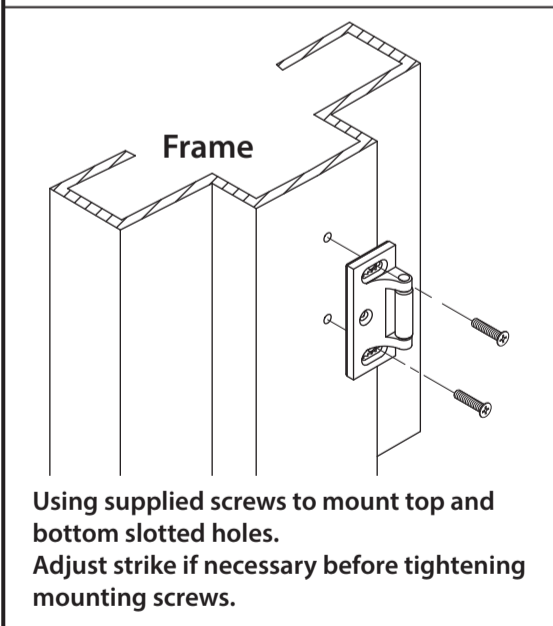


1 Mark and drill mounting holes

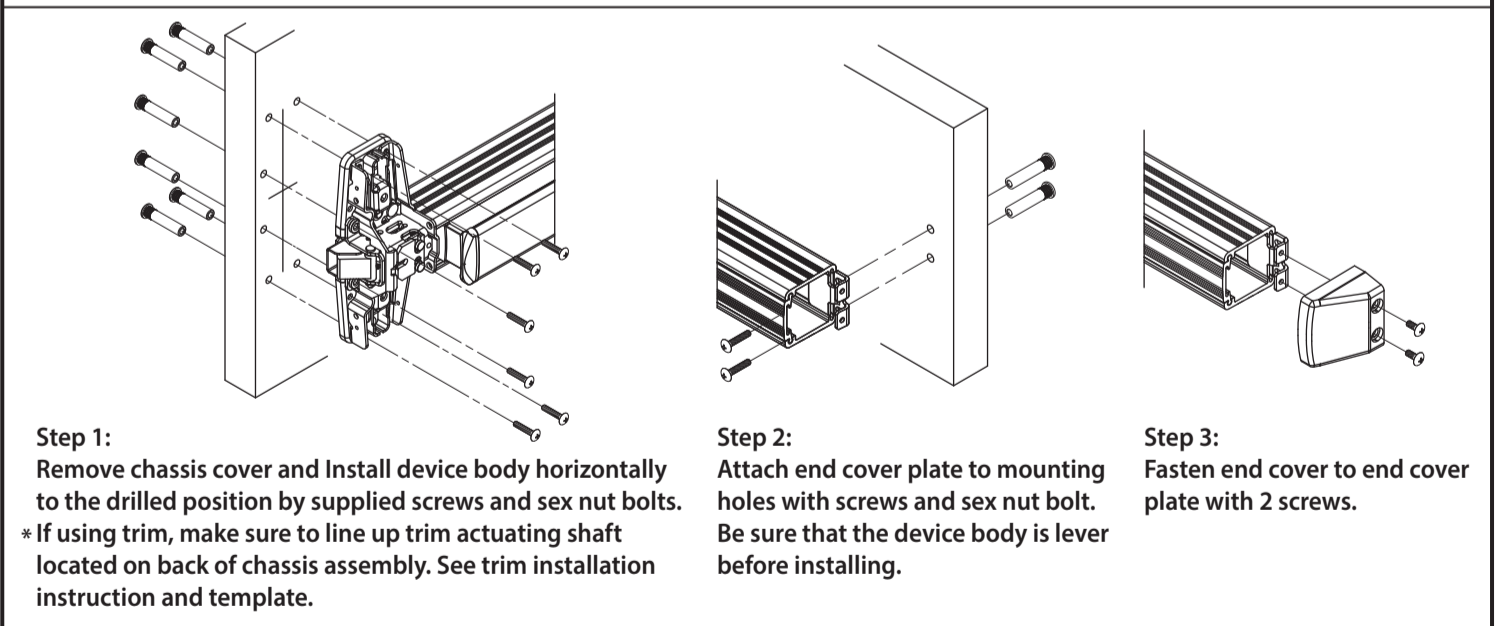
Use template to mark door face and frame then drill holes in accordance with the dimension suggested.



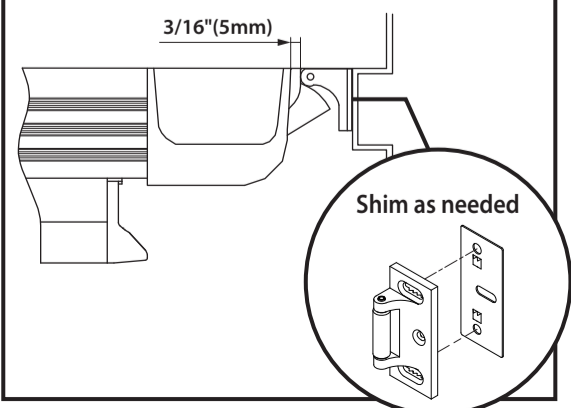
2 Strike Install



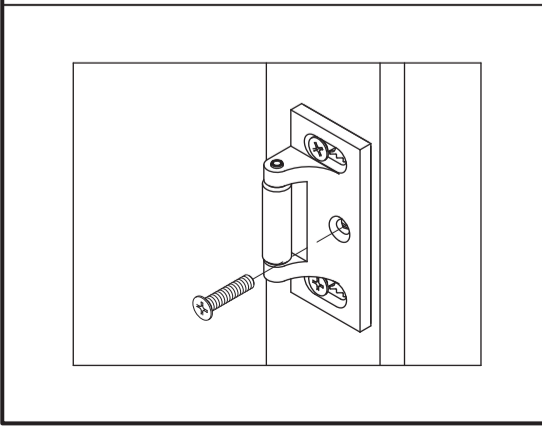
3 Chassis assembly and end cover plate install



Adjust strike as needed



4 Install strike support screw



5 Chassis cover install

