

Features

Alarm kit contains an internal horn and LED light, when the pushbar is depressed, the LED light will blink and horn will siren to provide a visible/audible means of signaling that the opening has been violated.

The alarm kit can be armed or disarmed by key.

The horn is rated at 95 decibel.

The key switch uses a standard 1 1/4" cylinder with S keyway.

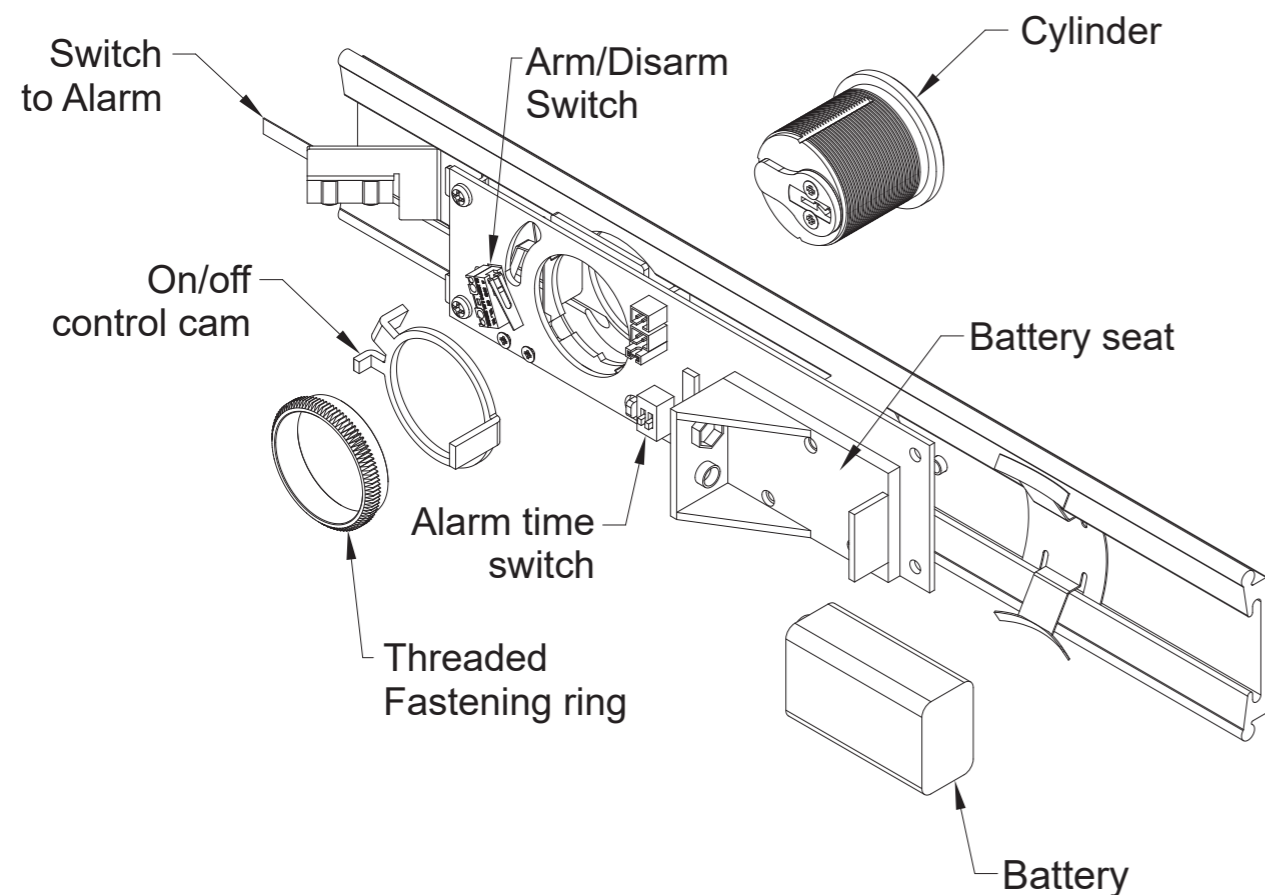
The unit operates on one standard 9-volt alkaline battery.

Device includes

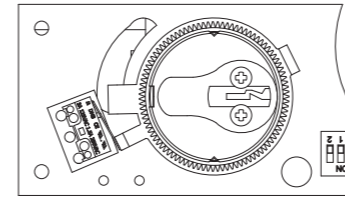
"EMERGENCY EXIT ONLY. ALARM WILL SOUND"
decal for application on door or pushbar.

Installation Instruction

1. Assemble the alarm kit with parts shown below :



2. Place the 9V Battery onto the panel.



Cam should be in OFF position before battery is installed.

3. Alarm siren time may be adjust to 1,3,5,and infinite minutes.

To adjust the alarm time, See Figure 1.

4. Remove the end cap and bracket.

5. Slide the cover out.

6. Insert alarm kit.

7. Re-install the end cap and bracket.

Alarm time	1 Min.	3 Min.	5 Min.	infinite
Figure				

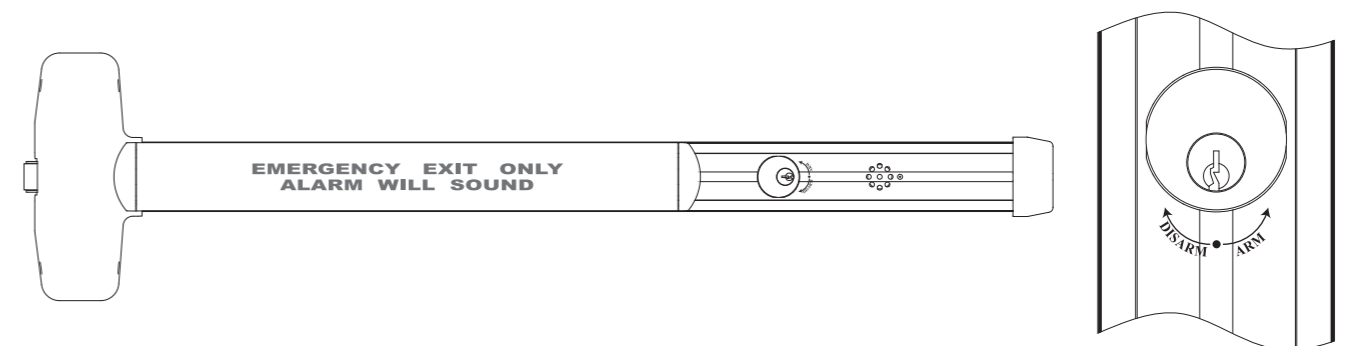
* Figure 1

Operating Instructions

1. Insert the key into the cylinder and turn counterclockwise to arm the unit.
2. The siren will sound three short beeps indicating the unit is armed.
3. Depress the pushbar, the alarm should sound immediately and red/green LED light will blink.
4. Turn the key clockwise to disarm.

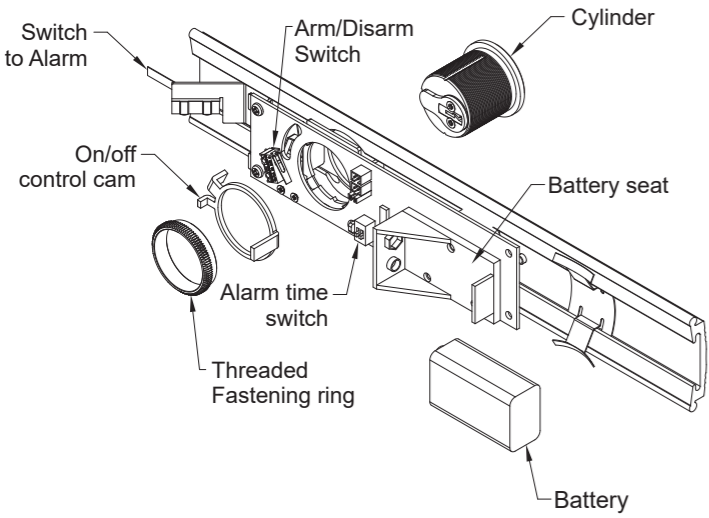
Note

1. If alarm siren time is set to infinite minutes, alarm will sound until battery runs out.
2. Siren will beep and red LED will blink at approximately 8 seconds intervals when battery is low.

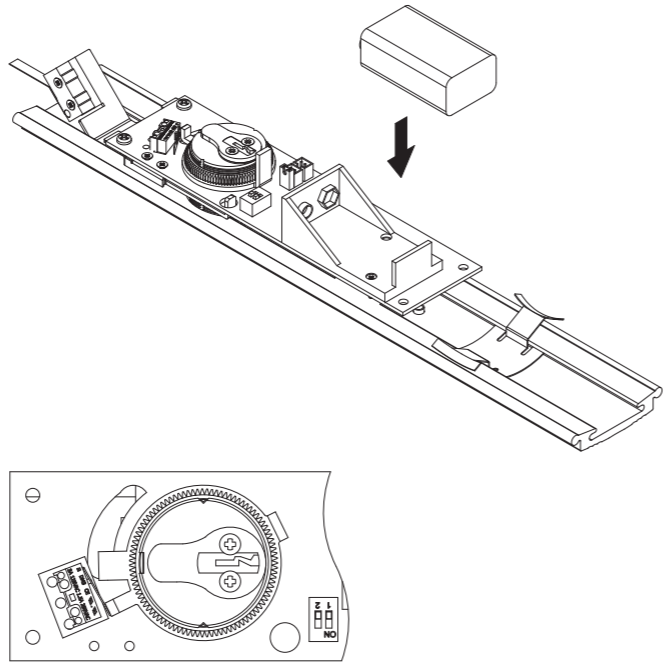


Installation Instruction Alarming Device

1. Assemble the alarm kit with parts shown below.



2. Place the 9V Battery into the panel.

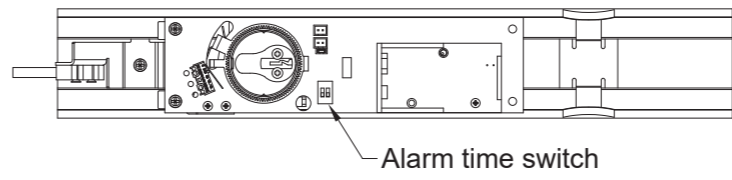


Cam should be in OFF position before battery is installed.

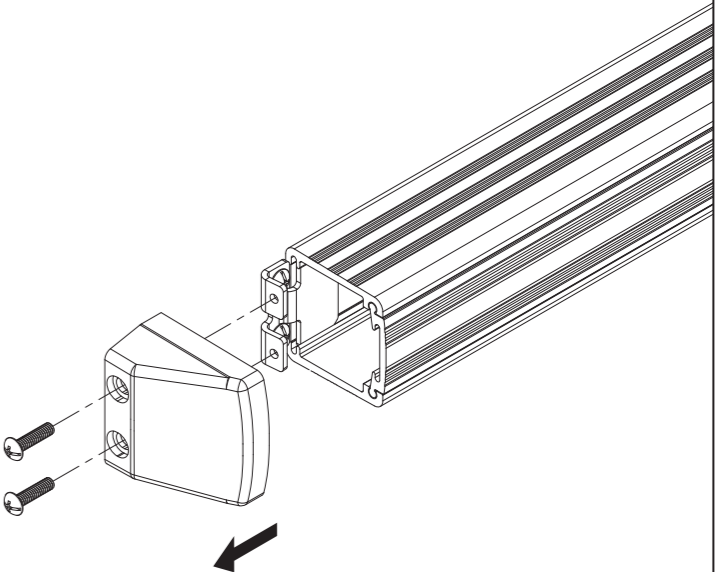
3. To adjust the alarm time, kindly set the 2pin dip switch as shown below :

Alarm time	Figure
1 Min.	
3 Min.	
5 Min.	
Infinite	

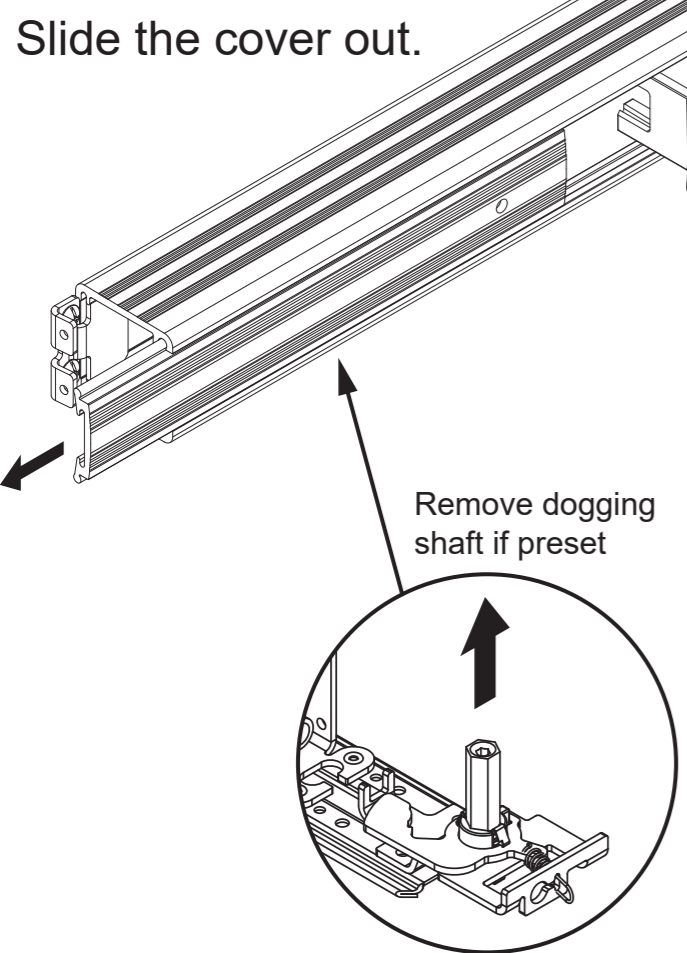
⊕ Factory preset



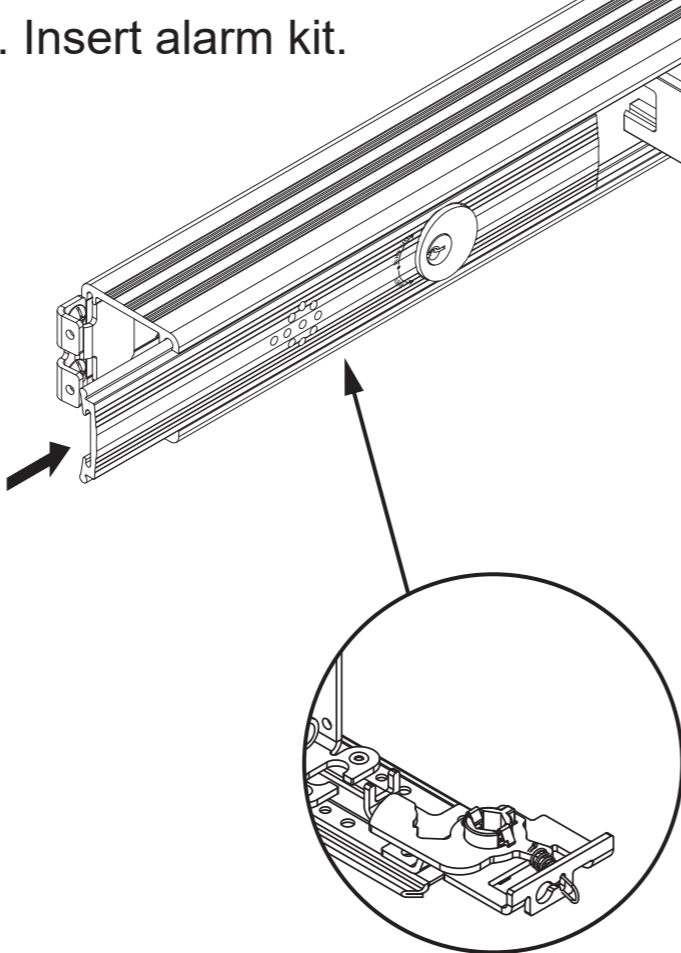
4. Remove the end cap.



5. Slide the cover out.



6. Insert alarm kit.



7. Re-install the end cap.

